



# NEXTEP



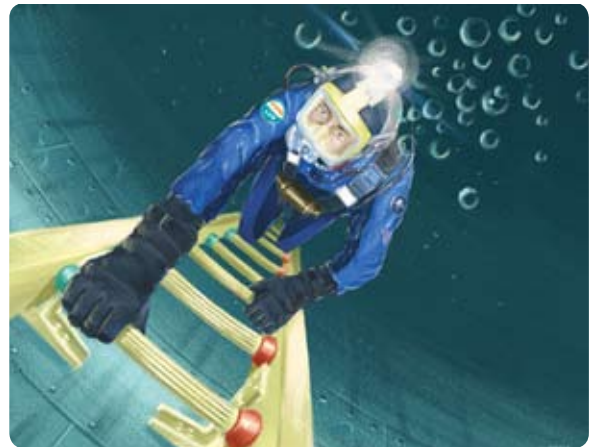
Nextep Miyama is a world leading manufacturer of 'corrosion free' infrastructure access equipment for the water and wastewater industries. Nextep designs, manufactures and installs high quality access equipment using composite materials such as FRP (Fibre Reinforced Plastic)



## FRP Rung Ladder

Each ladder is assembled by hand from FRP extruded products, Polypropylene brackets and Polyamide resin bolts and nuts. Using only non-corrosive materials allows the Nextep Rung Ladder to be installed in the harshest of conditions. In fact, the GRP material is resistant to the following extremely harsh chemicals;

- Phosphoric acid
- Hydrochloric acid
- Sulfuric acid
- Nitric acid
- Acetic acid
- Sodium chloride
- Aluminum sulphate
- Ammonium sulphate





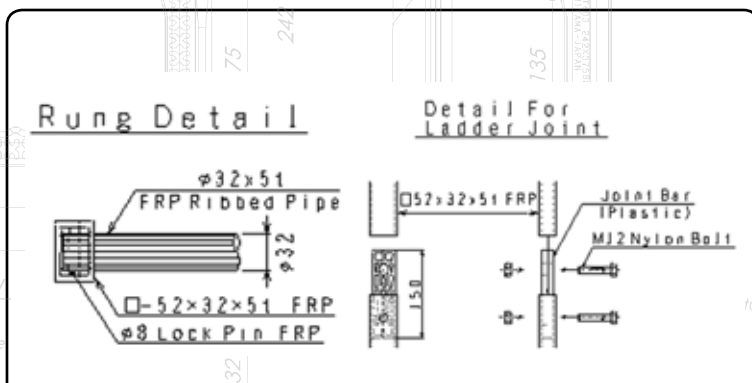
# NEXTEP



Over many years our water and wastewater infrastructure has been built with products made from materials unsuitable to the typically harsh conditions present.

Generally, human safety and product life expectancy was not considered in the design process. Now, with the growing awareness of occupational safety, safer alternatives are being sought and responsibility for safety is being shifted to each individual.

With the increase of infrastructure rehabilitation, it is now well documented that traditional building materials such as aluminium, galvanized steel and even stainless steel, are susceptible to severe corrosion in these harsh environments.



**Where can FRP Rung Ladders be used?**

- WATER AND SEWERAGE INDUSTRIES.
- FOOD PROCESSING PLANTS
- CHEMICAL PLANTS
- ELECTRICAL MANUFACTURING PLANTS
- SALTWATER AND MARINE AREAS
- INDOOR AND OUTDOOR FACILITIES

**Associated products available with FRP Rung Ladders**

- RETRACTABLE HANDRAILS
- FRP REARGUARD SAFETY SYSTEM
- FRP HANDRAILS
- FRP STAGING – GRATING

**Models Available**  
WSAA standard width – 375mm. Lengths as per project requirements.

**Applications**

- Water & Sewerage industries.
- Food processing plants.
- Chemical plants
- Saltwater areas
- Indoor & outdoor facilities
- Electrical goods manufacturing plants

**Specifications**

- Rung torque resistance (AS/NZS 1892.3:1996)
- Rung strength (AS/NZS 1892.3: 1996)
- Rung shear resistance (AS/NZS 1892.3:1996)
- Rung impact resistance (BS 1247.2:1990)
- Ladder side sway resistance (AS/NZS 1892.3:1996)
- Surety of ladder fastening to wall bracket (AS 4198:1994)
- Ladder chemical resistance (AS 3571:1989 and AS 3572.2)
- Ladder corrosion barrier delamination resistance (AS/NZS 3572.20)
- The method of test for impact resistance was adopted from BS 1247 Part 2:1990 Manhole Steps Part 2. Specification for plastics encapsulated manhole steps.
- Requirements for materials and design were taken from the WSAA Sewerage Code in the first instance then water agencies specifications/drawings, AS 4198:1994, AS 1892.3, AS 2634:1983, BS 5480:1990 and AS 3572.22.
- Laboratory testing was undertaken by the Faculty of Built Environment and Engineering, Queensland University of Technology.

**Characteristics**

- GRP ladders have excellent corrosion resistant properties.
- Excellent advantages in weight over the traditional counterparts.
- Superior advantages over climatic change, with minimal deformation.
- Low conductivity, both thermally and electrically.
- Non-magnetic properties.
- Rungs have a special design to provide safety, integrity and aesthetics with cost effectiveness.

**Distributed by:**



**Other Products:**

- Step Irons
- FRP Manholes
- FRP Access Covers
- FRP Platforms
- FRP Staircases
- Design and installation

**HEAD OFFICE:** Nextep Miyama Pty Ltd, PO Box 162, 43 Hobart St, Riverstone NSW 2765

**Ph – (02) 9838 3172 Fax – (02) 9838 3173 sales@nextep.net.au**

**www.nextep.net.au**